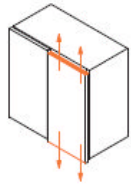


HINGE ADJUSTMENTS

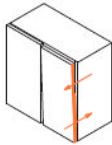
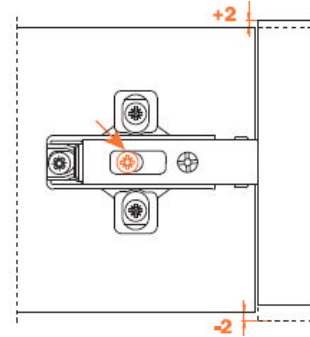
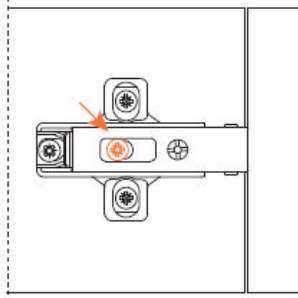
It is not necessary to loosen or re-tighten any adjustment screw. Just turn and go.

For best results, a posi drive screw driver is recommended.



+2 mm
- 2 mm

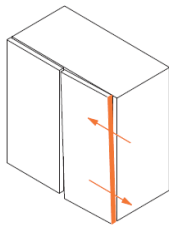
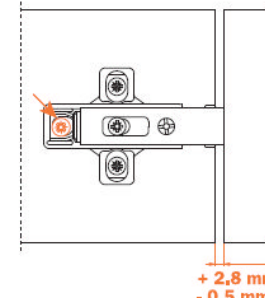
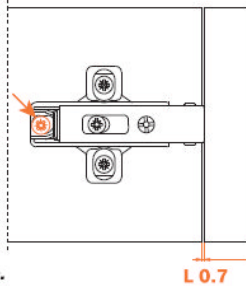
Height adjustment by cam



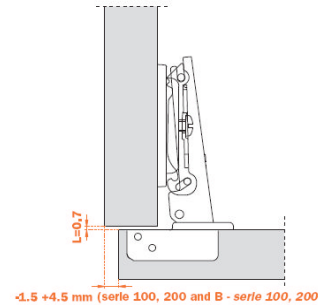
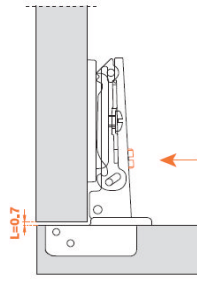
+2.8 mm
- 0.5 mm

Depth adjustment by cam.

Regulación frontal mediante excéntrico.



Left and right adjustment by cam



SALICE

QUALITY THAT LASTS A LIFETIME

www.saliceamerica.com

* Series 200 hinge with BARXR mounting plate